

Fire Drum 3



Tested to U/L Standards
1482 and 737

Assembly And Installation Instructions

Read Instructions carefully before starting. Installation must comply with all local and national codes. A building permit must be obtained before starting installation. All parts must be in place or listing will be void.

Assembly Instructions

Carefully unpack all parts from cartons as directed below carefully inspecting all parts. If any parts are damaged or missing, contact shipper or dealer immediately. Do not install unit using damaged parts.

1. Open the larger carton and remove the corner supports and packing material. Carefully remove the hood, sliding it upward and slightly forward (toward the opening in the hood). Set the hood aside.

Refer to illustration No. 1.

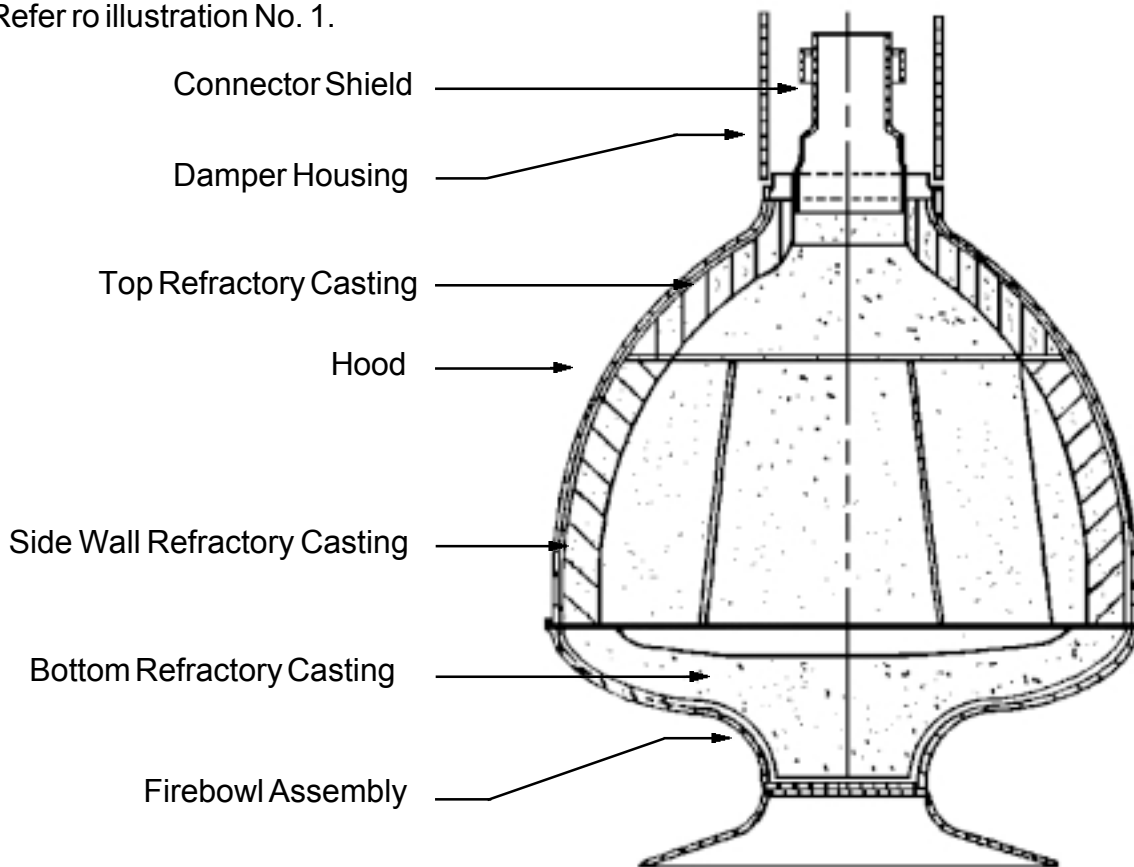


Illustration No. 1.

Fire Drum 3

Continued

2. Lift out the top refractory casting and the four side wall castings. Be careful not to drop these refractory pieces. Set these pieces aside; but remember how they were assembled in the carton. The larger carton is now light enough to be removed from the smaller carton and should be set aside.
3. Open the top of the smaller carton. Remove the corner supports. Lift out the package containing the two-piece cast iron grate and grate support bracket. It is not necessary to remove the bottom refractory casting from the fire-bowl assembly; this should remain in place in the bottom metal fire bowl.
4. Lift out the bottom fire-bowl assembly or split open one side of the carton.
5. Position the bottom fire-bowl assembly in the desired location for installation.

NOTE: Due to the weight of this unit, it may be desirable to set the hood on the base without the refractory bricks in order to determine the chimney location and hearth extension location. The assembly could be completed after the chimney and hearth extension are installed.

6. The refractory castings previously unpacked from the larger carton should now be reassembled on top of the fire-bowl assembly, fitting them together snugly and making sure they fit into the groove in the bottom refractory casting.
7. Now install the hood by carefully sliding it down (and slightly to the rear) over the refractory pieces. Rotate the hood slightly to align it properly with the refractory. The refractory should measure the same distance back from opening trim on both the left and right side of the fireplace opening. Now carefully press the hood into the groove in the bottom fire bowl assembly.
8. Lay the two-piece cast iron grate in the grooves provided for it in the front of the fire-bowl assembly and support it at the rear with the grate support bracket. Note that the bracket fits into a depression cast into the bottom refractory.
9. Remove and unpack the remaining two boxes in the larger carton. These contain the connector shield in the upper refractory opening.

Refer to Illustration No. 2.

Fire Drum 3

Continued

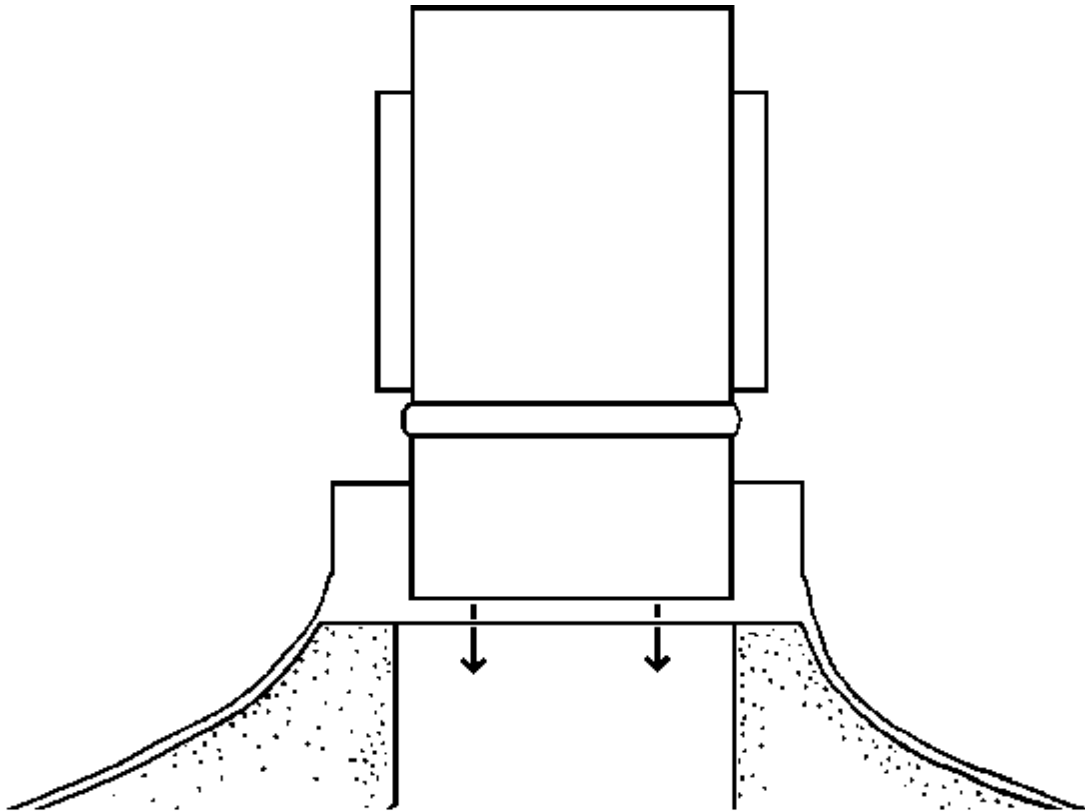


Illustration No. 2

11. Seat the flue pipe with the damper section into the top spinning collar making sure that the slots around the circumference of the pipe are immediately above the collar at the top of the body.

Refer to Illustration No. 3.

12. The screen should be installed by placing the screen legs into the lugs on each side of the cast iron grate and rotating the screen into the closed position, securing it at the top by rotating the latch so it catches behind the top of the fireplace opening.
13. Read Installation Instructions.
14. Your unit is now ready for installation.

Fire Drum 3

Continued

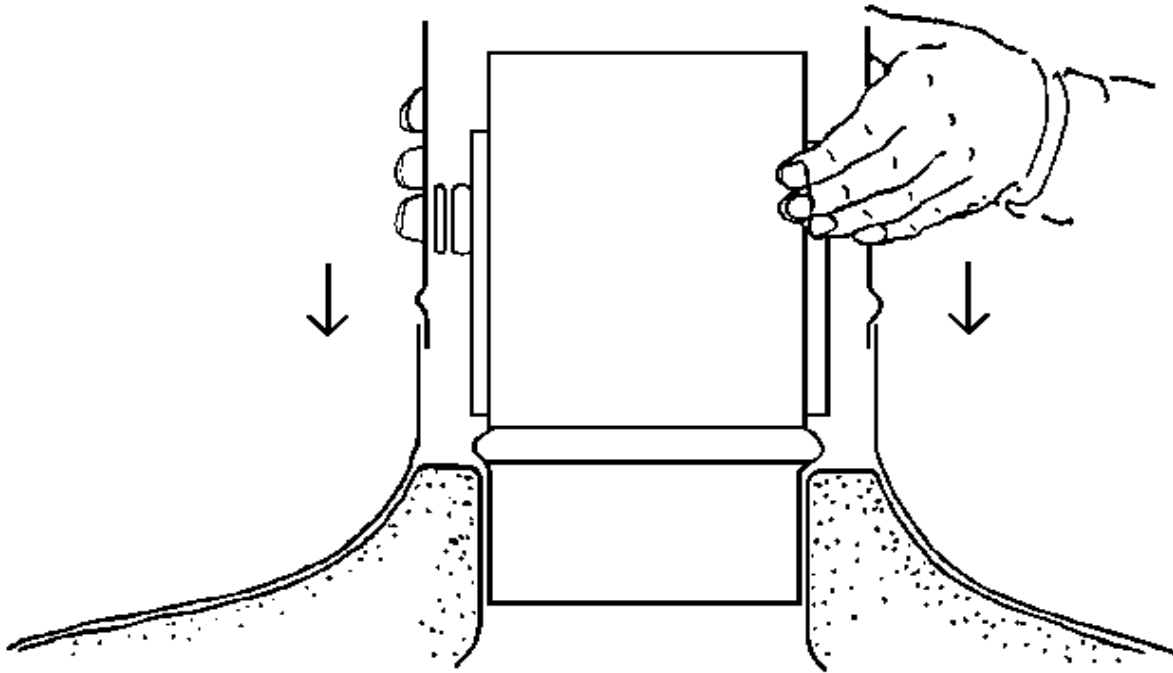


Illustration No. 3

Installation Instructions

Do Not Install In A Mobile Home.

READ ALL INSTRUCTIONS CAREFULLY BEFORE STARTING THE INSTALLATION.

1. Position unit to comply with the minimum clearances to combustible materials. Minimum clearances are shown from the chimney connector. It is recommended that no overhead cross members in the ceiling or roof be cut. Reposition unit if necessary, being careful not to move closer than the minimum clearances. The minimum clearances to combustibles are as follows:

A. Side wall/Back wall Installation:

- a. 19 1/2 inches from the back of the chimney connector to the back wall.
- b. 35 1/2 inches from the side of the chimney connector to the side wall.

See Illustration No. 4.

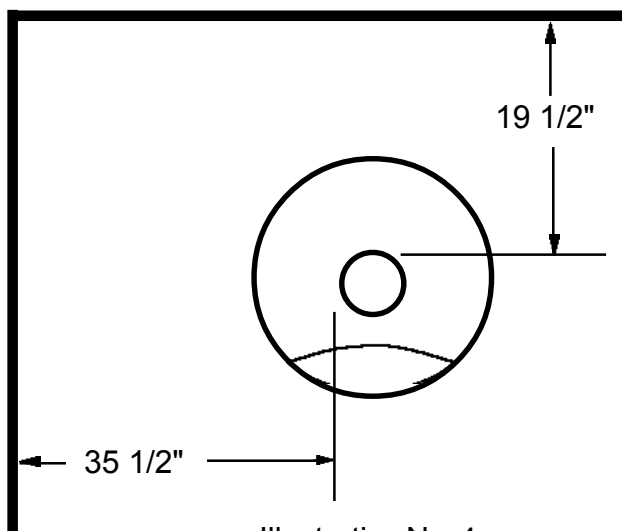


Illustration No. 4

Fire Drum 3

Continued

B. Corner Installation:

- a. 19 1/2 inches minimum as measured from the side of the chimney connector to the nearest wall.

See Illustration No. 5.

2. Install chimney and accessories through ceiling and roof directly above unit per chimney manufacturer's instructions. Chimney must be U.L. listed 8 inch Low Heat Residential Appliance Type Chimney (All Fuel). Before Chimney is installed use a plumb-bob to assure that chimney is directly above the flue outlet on unit. See Typical Installation Illustration No. 6.

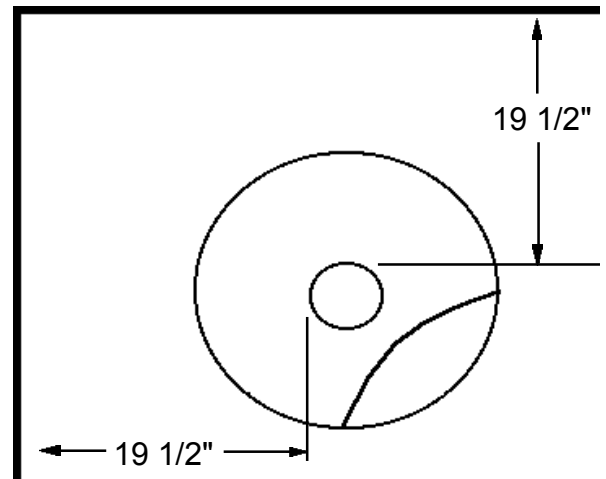


Illustration No. 5

Note: We do NOT recommend use of the 8 inch chimney system with elbowed single-story installations of the Fire Drum 3, as more height is needed for adequate draft. Elbows aren't normally necessary in single story buildings in any case.

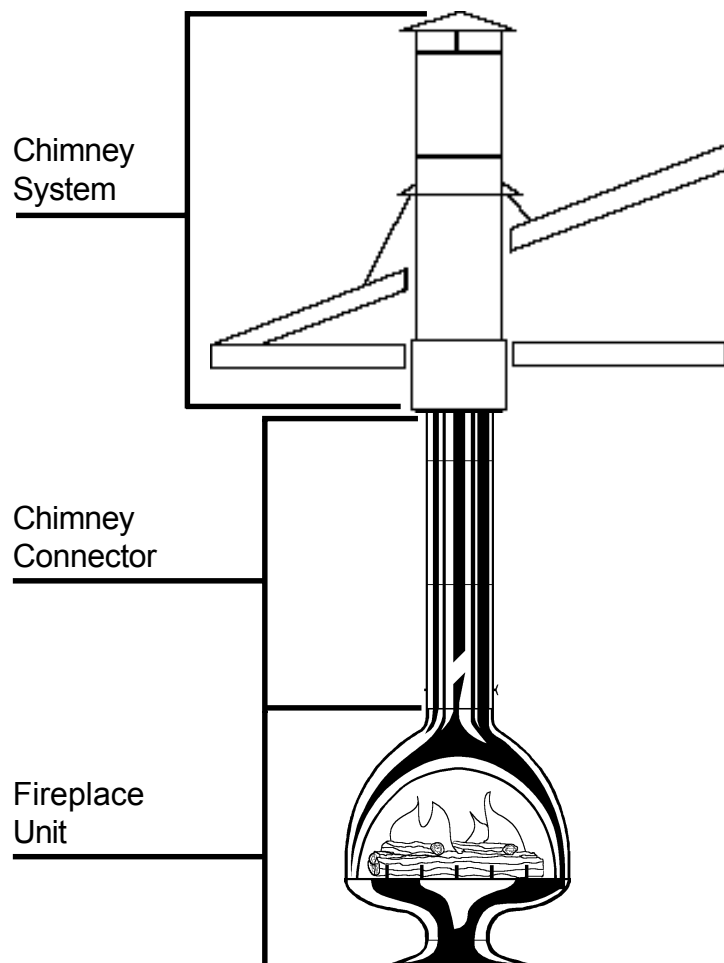


Illustration No. 6

Fire Drum 3

Continued

3. A non-combustible hearth extension (floor protector) must be installed under the unit. This extension must be a minimum of 3/8 inch thick non-combustible material such as brick, concrete, slate, ceramic tile, or a listed floor protection board such as Wonderboard or Homosote. Check with local building authorities as to what other materials are acceptable. The hearth extension must extend a minimum of 5 1/2 inches beyond the back and sides of the unit and 16 inches beyond the front opening of the unit. Mark location of required hearth extension on the floor. Refer to Illustration No. 7.

4. Remove unit and install hearth extension.

5. Position unit on hearth extension at the proper clearances with the flue outlet directly below chimney.

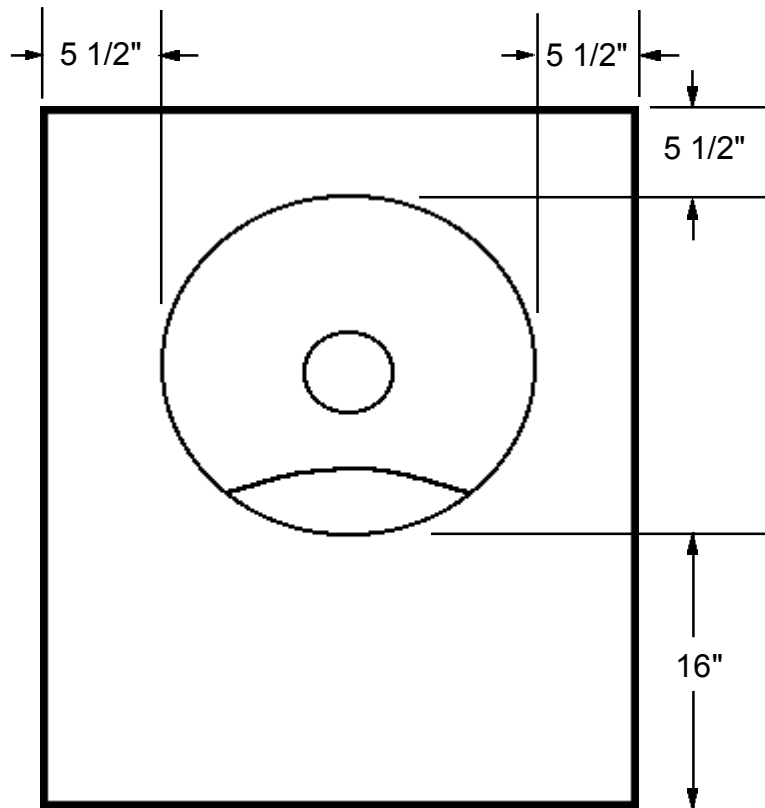


Illustration No. 7

Rotate unit as needed to make certain front opening is positioned parallel to the back wall for a side wall/back wall installation, or at a 45 degree angle to both walls for a corner installation.

6. Chimney connector installation depends on the brand of chimney system installed. If using Simpson Dura-Vent a Universal Connector part No. 1870 must be used. With Metalbestos either the DSA or DSAC single wall chimney connector part must be used. Security users require the UP adapter. With most chimney systems manufactured a similar part is available from the chimney system manufacturer. If necessary contact the chimney manufacturer for proper connection parts for your chimney system. Refer to Illustration No. 8.

Fire Drum 3

Continued

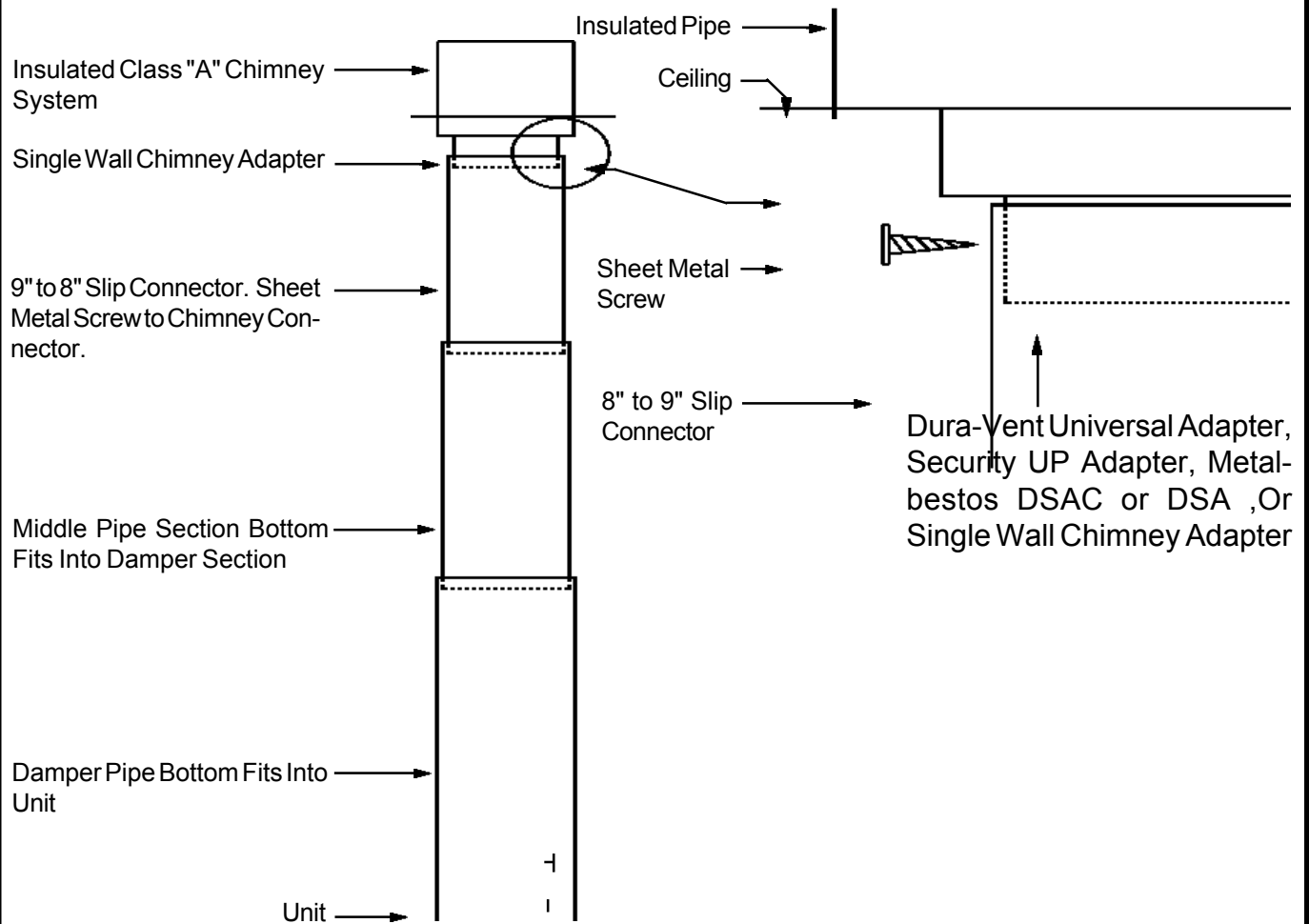


Illustration No. 8

7. First install the 8" to 9" x 18" long pipe over the chimney system's single wall adapter. Sheet metal screw the connector to the single wall adapter using sheet metal screw in the holes provided.

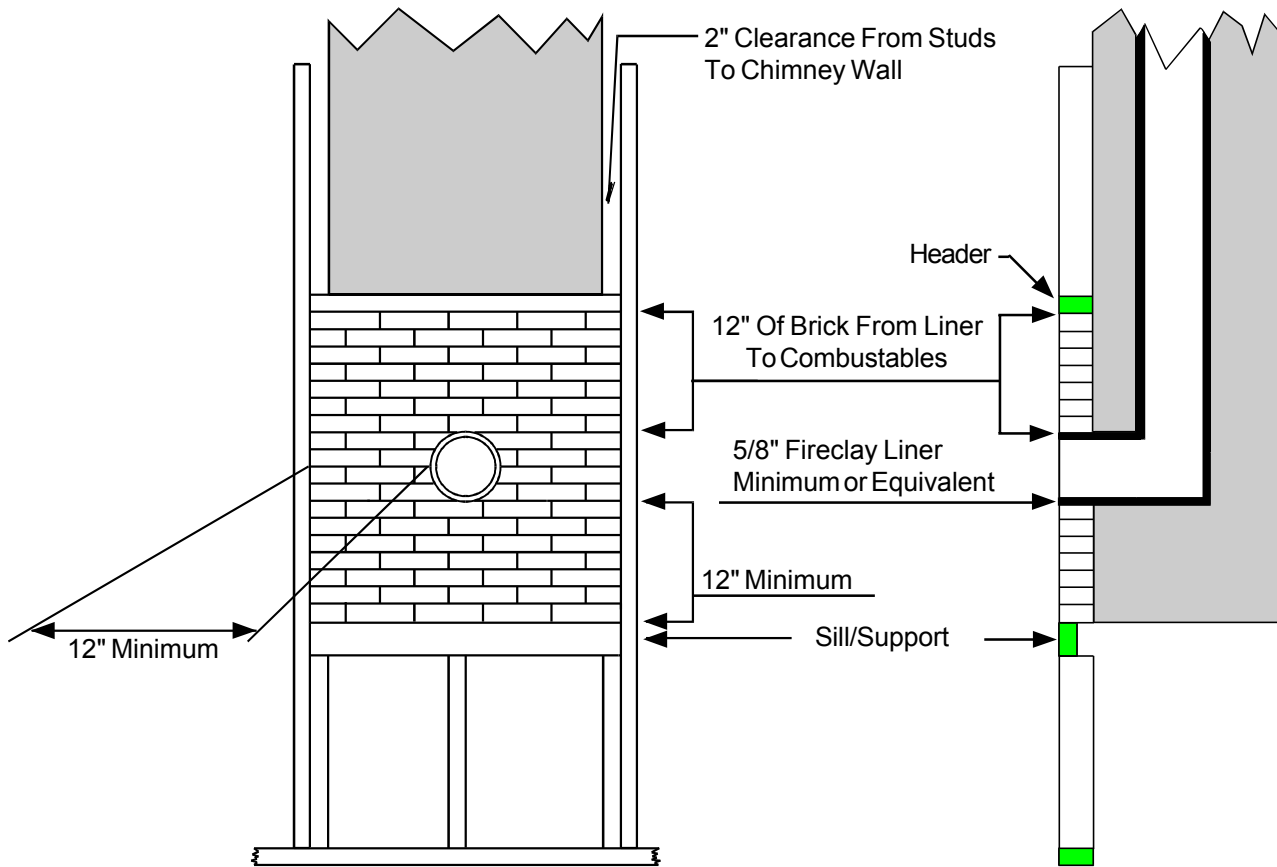
Slide the middle section of pipe over the 18" long pipe allowing enough room to insert the damper section between the fireplace unit and the bottom of the middle pipe.

Install the damper section into the fireplace. Slide the middle pipe section into the damper section.

8. Check that all the clearances are still within the allowable specifications.
9. Read Operating and Maintenance Instructions.

Fire Drum 3

Continued



MASONRY THIMBLE

Masonry Chimney

If using a masonry chimney, it must meet the minimum standards of the National Fire Protection Association (NFPA) Standard 211. The chimney must have at least a 5/8" fire clay liner or a listed chimney liner system. The chimney must be inspected for cracks, loose mortar, or any other signs of deterioration. It is best to have the chimney inspected by a professional. Make certain the chimney is cleaned prior to installation of this fireplace.

The size of the chimney should be between 36 and 96 square inches. Larger chimneys should be relined to meet these requirements. Incorrect sizing of the chimney may affect the draft and result in poor fireplace performance. Do not install more than one appliance to any chimney.

There are different accepted methods of connecting the fireplace to a masonry chimney through a combustible wall. This type of installation requires the use of a thimble to protect the surrounding combustible materials. Check with your local building officials or consult NFPA211.

Fire Drum 3

Continued

OPERATING INSTRUCTIONS

Failure to properly use and maintain this appliance may void the manufacturer's warranty and could result in a house fire.

WARNING: This free standing fireplace is a heat producing appliance and may cause severe burns if touched. Keep children away. Do Not over fire. If any portion of the unit or flue starts to glow you are over firing. This is a free standing fireplace, do not use for any other purpose.

1. The first few fires should be small in order to properly cure the painted surfaces and refractory. During the first few fires, some smoking may occur as the paint cures. You may wish to open a window to minimize discomfort during this curing period.
2. **DO NOT BURN TRASH OR GARBAGE IN THIS UNIT.** When building a fire, be sure the damper is fully opened and sufficient combustion air is available. Place dry kindling on dry wadded paper then ignite with a match. Add progressively larger pieces of wood until the fire is well established. Leave the damper fully open. Close only after the fire has burned out completely. Add additional firewood as needed to maintain the fire.
3. The fire screen must be in place during operations. **WARNING: FIREPLACE STOVES EQUIPPED WITH DOORS SHOULD BE OPERATED ONLY WITH DOORS FULLY OPEN OR DOORS FULLY CLOSED. IF DOORS ARE LEFT PARTLY OPEN, GAS AND FLAME MAY BE DRAWN OUT OF THE FIREPLACE STOVE OPENING, CREATING RISKS FROM BOTH FIRE AND SMOKE.**
4. **DO NOT ELEVATE THE FIRE.** A grate should not be used.
5. Keep the pipe damper in the full open position when the fireplace is being used.
6. **CAUTION:** Heating the air in a closed building decreases the relative humidity of the air, which will dry wood and other combustible materials. This drying lowers the ignition temperature of these materials thus increasing fire hazards. To reduce the risk of fire, some provision should be made for replenishing moisture to the air whenever a structure is being heated for extended periods.
7. Be sure to provide combustion air into the dwelling when using this or any other wood burning appliance. A partially open window or outside air register in the vicinity of the unit would be acceptable. Combustion air must be supplied in conformance with the Uniform Mechanical Code.
8. **CAUTION: NEVER USE GASOLINE, GASOLINE TYPE LANTERN FUEL, KEROSENE, CHARCOAL LIGHTER FLUID, OR SIMILAR LIQUIDS TO START OR "FRESHEN UP" A FIRE IN THIS HEATER. KEEP ALL SUCH LIQUIDS WELL AWAY FROM THE HEATER WHILE IN USE.**
9. **DISPOSAL OF ASHES:** Ashes should be placed in a metal container with a tight fitting lid. The closed container of ashes should be placed on a noncombustible floor or on the ground, away from all combustible materials, pending final disposal. The ashes should be retained in the closed container until all cinders have thoroughly cooled.
10. **READ MAINTENANCE INSTRUCTIONS.**

IN CASE OF A CHIMNEY FIRE

A safe and correct installation and extra care will help prevent a fire, but accept the idea that there could be a fire. Be prepared to handle it. Make certain everyone in the house is familiar with the warning signs of a chimney fire:

1. Call the Fire Department immediately, before doing anything else.
2. Discharge a dry chemical extinguisher into the fireplace opening. If an extinguisher is not available, toss baking soda into the opening. Do not pour water on the fire.
3. Close all air intakes to the firebox and leave closed until the fireplace, stove or stove pipe is completely cooled.
4. Watch for sparks on the roof. If necessary, hose down the roof around the chimney. **DO NOT** pour water down or on the chimney.
5. After the fire is completely out, inspect the chimney for any signs of damage. If you are not certain, have your local Fire Department inspect the chimney for you.
6. Never use coal in a fireplace. Coal should be used only in stoves especially designed to burn coal. If the toxic gases produced enter the room they can be fatal.

Fire Drum 3

Continued

MAINTENANCE INSTRUCTIONS

Failure to properly use and maintain this appliance may void the manufacturer's warranty and could result in a house fire.

1. Always keep the area around the unit clean and clear of furniture and other objects. Keep all furniture a minimum of 48 inches away from the heater.
2. Periodically the entire unit, chimney connector, and chimney system must be inspected for leaks, broken or malfunctioning parts, and loose connections. If any problems are noted, contact your dealer for repair services. Do not operate the unit until repairs have been completed.

CREOSOTE FORMATION AND THE NEED FOR REMOVAL.

When wood is burned slowly, it produces tar and other vapors, which combine with moisture to form creosote. Creosote vapors condense in the relatively cool chimney flue, and creosote residue accumulates on the flue lining. When ignited, this creosote can make an extremely hot fire. The chimney connector and chimney should be inspected at least twice monthly during the heating season to determine if creosote buildup has occurred. If creosote has accumulated, it should be removed to reduce the chance of a chimney fire.

HOW TO REMOVE CREOSOTE.

1. Clean the chimney with brushes and equipment available at local fireplace shops.
2. Chemical chimney cleaners are used by adding them to the fire, but they are not intended for use in chimneys already containing heavy soot deposits. Rather, they are intended to inhibit soot buildup. They can be used in metal chimneys provided the manufacturers instructions are strictly followed. Generally these commercial cleaners are quite effective.
3. Call a professional chimney sweep in your area. They possess the experience and tools necessary to make the task easy.

Maintenance other than the items specifically mentioned herein are to be performed by a qualified serviceman only. Contact your dealer. For further information on using your heater safely, obtain a copy of the National Fire Protection Association publication "Using Coal and Wood Stoves Safely," NFPA HS-10-1978. The address of the NFPA is Batterymarch Park, Quincy, MA 02269. File these instructions for future reference.

NEVER STORE OR ALLOW PAPERS, KINDLING, FIREWOOD OR ANY OTHER COMBUSTIBLES WITHIN 48 INCHES OF UNIT.

Malm Fireplaces, Inc.