

## **GENERAL INFORMATION**

This appliance has been tested in accordance with National Safety Standards for installation and operation as described in this manual.

Please read all the instructions before beginning your installation. Check with your local building code agency to ensure compliance with local codes. In the absence of local codes the installation must comply with National Fuel Gas Code ANSI Z22.3.1. In Canada, current CAN/CGA-B149.1 and B149.2 installation codes.

**Installation and repair should be done by a qualified service person. The appliance should be inspected before use and at least annually by a qualified service person. More frequent cleaning may be required due to excessive lint from carpeting, bedding material, etc. It is imperative that control compartments, burners and circulating air passageways of the appliance must kept clean.**

**Unpack all parts from cartons carefully inspecting all parts. If any parts are damaged or missing, contact shipper or dealer immediately.**

**Do not install this appliance using damaged parts.**

## **GAS SUPPLY**

For use with natural gas or propane gas, depending on which option you have ordered. The minimum inlet gas supply pressure for the purpose of input adjustment:

Natural	=	Minimum 5.5" Water Column (1.4 kPa)	Maximum 10.5" Water Column (2.6 kPa)
Propane	=	Minimum 11" Water Column (2.75 kPa)	Maximum 13" Water Column (3.25 kPa)

- a. The supply system should include a manual shut-off valve and union in the line, so that the heater can be disconnected for servicing.
- b. The appliance and its individual shut-off valve must be disconnected from the gas supply piping system during any pressure testing of that system at test pressures in excess of 1/2 psig (3.5 kPa).
- c. The appliance must be isolated from the gas supply piping system by closing its individual manual shut-off valve during any pressure testing of the gas supply piping system at test pressures equal to or less than 1/2 psig (3.5 kPa).
- d. A 1/8 inch N.P.T. plugged tapping is provided, for test gauge connection, on the elbow adjacent to the gas control valve.

**Due to high temperatures, the appliance should be located out of traffic and away from furniture and draperies.**

## **VENTING**

The unit is a vented appliance and must be connected to a chimney/flue in accordance with the code, using the chimney manufacturer's instructions. Minimum connector length is 4'.

**This appliance must not be connected to a chimney flue servicing a separate solid fuel burning appliance.**

## **VENT DAMPER**

This appliance may be installed with vent damper device Part No. MD8. Follow installation instructions for this part. This part is to be installed by a qualified service person.

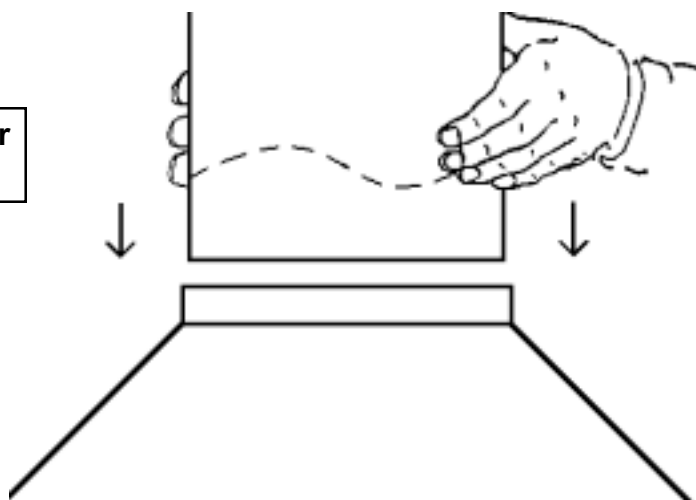
The vent damper is located in the first section (starter section) of pipe which attaches to the collar of the appliance. Only this appliance may be served by the vent damper device installed on this unit. The vent damper device should be inspected annually by a qualified installer.

The thermally controlled vent damper is an energy saving device designed for installation in vents of listed gas-fired appliances equipped with a draft hood. The damper saves energy by preventing the escape of heated air through the venting system, when the appliance is not in use.

It has four quadrants of bimetal which remain closed when the appliance is not in operation. Upon ignition of the appliance, the hot flue gases reach the damper, causing the quadrants to flex, thereby opening the vent passage within a short period of time. This internal flexing of the bimetal is the only movement in the damper. No power supply or functional connection with the appliance controls is required for operation.

Installation of vent dampers can increase the potential for condensation in oversized masonry chimneys. This is due to poor thermal insulation of the chimney and reduced air movement when the damper is closed. We recommend that masonry chimneys be lined with materials such as Type B gas vent, aluminum or stainless steel to reduce the chance of condensation. Most building codes, in fact, require the lining of chimneys when gas appliances are vented into masonry chimneys.

**Minimum connector length is 48"**



## **CLEARANCES**

Make sure that minimum clearances to combustible materials are maintained during installation including adequate space for the proper operation and servicing of the heater.

The minimum clearances from the appliance to combustibles are shown on figures 1 and 2. Place the appliance on a flat, solid, continuous surface (i.e. wood, tile, concrete, metal). The unit must be placed on wood or metal panel extending the full width and depth of the unit, when installed on carpet or other combustible materials.

**NOTE:** Ensure that the combustion air opening of the heater is not obstructed. Provision must be made for adequate combustion and ventilation air, with sufficient clearances around the opening. There must be adequate accessibility clearance for servicing and proper operation.

## **CLEARANCES**

### **SIDEWALL AND BACKWALL INSTALLATION**

Unit to Sidewall -----	3"
Unit to Backwall -----	3"
Connector to Sidewall -----	16"
Center of Connector to Sidewall -----	20"
Connector to Backwall -----	5"
Center of connector to Backwall -----	9"

### **CORNER INSTALLATION**

Unit to Adjacent Wall -----	3"
Connector to Adjacent Wall -----	8"

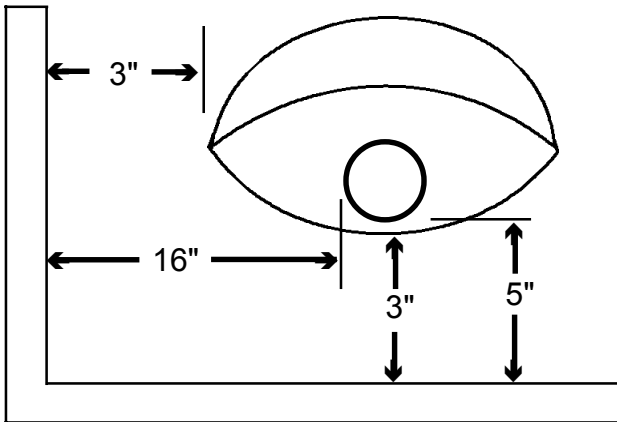


Figure 1

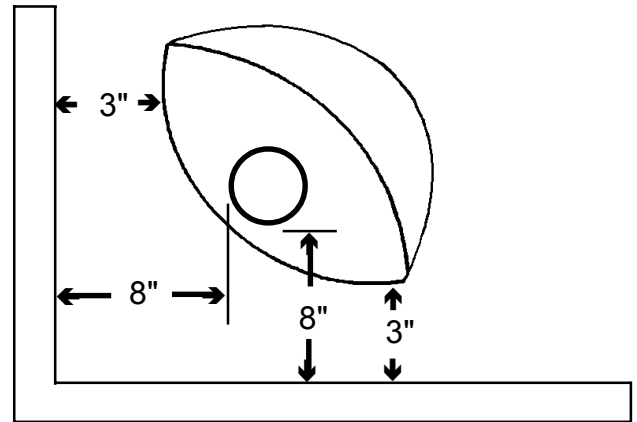


Figure 2

### **WARNING**

Children and adults should be alerted to the hazards of high surface temperature and should stay away to avoid burns or clothing ignition. Young children should be carefully supervised when they are in the same room as the appliance.

### **CAUTION**

Any safety screen or guard removed for servicing an appliance must be replaced prior to operating the appliance.  
Clothing or other flammable material should not be placed on or near the appliance.

# Installation Instructions

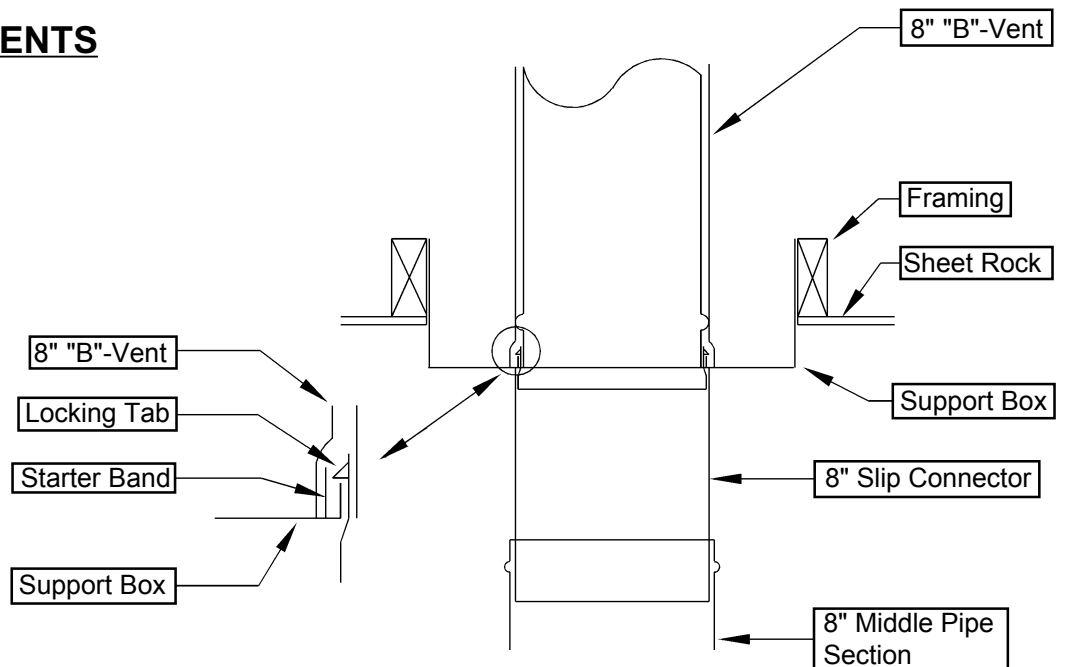
## Do Not Install In A Mobile Home

**READ ALL INSTRUCTIONS CAREFULLY BEFORE STARTING THE INSTALLATION.**

- 1. Position unit to comply with the minimum clearances to combustible materials. Minimum clearances are shown in figures 1 and 2. It is recommended that no overhead cross members in the ceiling or roof be cut. Reposition unit if necessary, being careful not to move closer than the minimum clearances.**

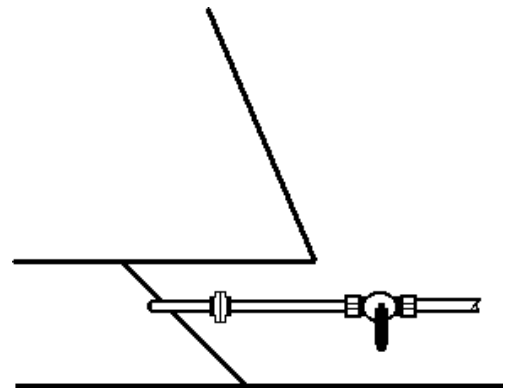
### VENTING REQUIREMENTS

Use a "B" vent, masonry, or class "A" chimney. Follow all manufacturers' requirements and local building codes. If you are using "B" vent utilize the support box supplied with unit.

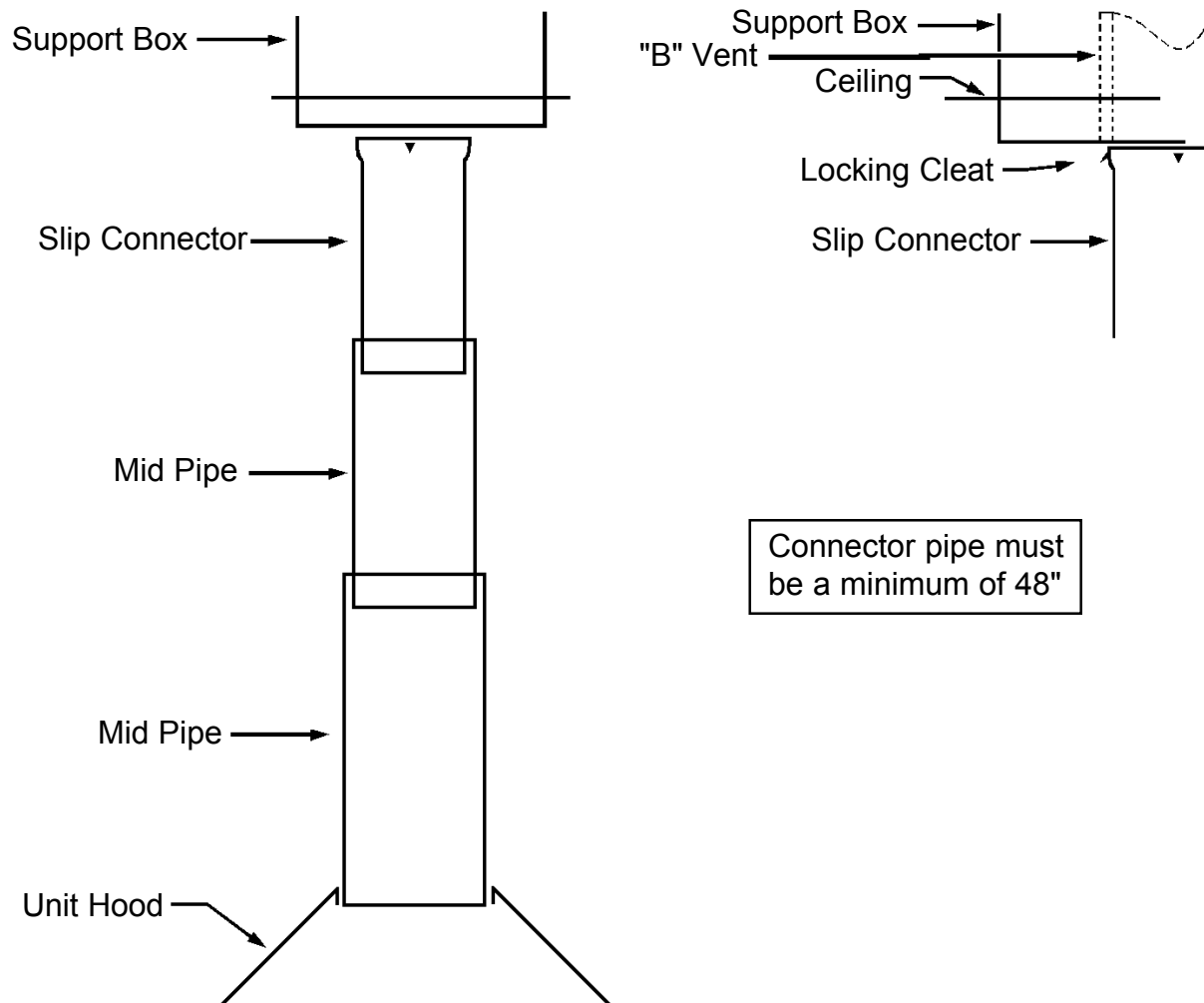


### GAS LINE ATTACHMENT

The gas supply line must be installed at the rear right side of the gas unit. This supply line must be a minimum of 1/2", black iron type pipe. A separate manual shut off valve should always be used. Check with local codes for its required placement. In general it must be placed within 6' of the appliance.



# Chimney Connector Instructions



1. The slip connector section has three locking cleats located at the top of the pipe. After the support box has been installed the slip connector is inserted into the bottom of the support box. The cleat will lock into place as the pipe is pushed up into the support box.
2. Slip one of the mid sections over the slip connector. Slide the mid section up only enough to allow the placement of the next section of pipe between the unit and the bottom of the mid pipe that was placed onto the slip connector.
3. Place the remaining mid section into the collar on top of the unit.
4. Pull the mid section that is on the slip connector down into the mid section that is installed into the unit.

# OPERATING INSTRUCTIONS

## FOR YOUR SAFETY READ BEFORE LIGHTING

**WARNING:** If you do not follow these instructions exactly, a fire or explosion may result causing property damage, personal injury or loss of life.

- A. Follow these instructions exactly. This appliance has a pilot which must be lighted by hand.
- B. **BEFORE LIGHTING** smell all around the appliance area for gas. Be sure to smell next to the floor because some gas is heavier than air and will settle on the floor.  
**WHAT TO DO IF YOU SMELL GAS**  
Do not try to light any appliance.  
Do not touch any electric switch; do not use any phone in your building.  
Immediately call your gas supplier from a neighbor's phone. Follow the gas supplier's instructions. If you cannot reach your gas supplier, call the fire department.
- C. Use only your hand to push in or turn the gas control knob. Never use tools. If the knob will not push in or turn by hand, don't try to repair it, call a qualified service technician. Force or attempted repair may result in a fire or explosion.
- D. Do not use this appliance if any part has been under water. Immediately call a qualified service technician to inspect the appliance and to replace any part of the control system and any gas control which has been under water.

## LIGHTING INSTRUCTIONS

1. **STOP!** Read the safety information above on this label.

2. Push in the control knob slightly and turn clockwise  to "OFF".



**NOTE:** Knob cannot be turned from "PILOT" to "OFF" unless knob is pushed in slightly. Do not force.

3. Wait five (5) minutes to clear out any gas. If you smell gas, **STOP!** Follow "B" in the safety information above on this label. If you do not smell gas, go to the next step.

4. Turn knob on gas control counterclockwise  to "PILOT."

5. Push in control knob all the way and hold in. Immediately light the pilot by pushing in the red lighter button. Continue to push the red lighter button until the pilot is lit. Continue to hold the knob in for about one (1) minute after the pilot is lit. Release the knob and it will pop back up. If the knob does not pop up, turn off the gas shut off valve and call a service technician. Pilot should remain lit. If it goes out, repeat steps 3 through 6.

6. Turn gas control knob counterclockwise  to "ON."

### To Turn Off

1. Push in gas control knob slightly and turn clockwise  to "OFF." Do not force.

# **MAINTENANCE INSTRUCTIONS**

## **GENERAL SAFETY**

1. Always shut off the gas supply and make sure that the heater is cool before starting any servicing operation.
2. Always check for leaks after servicing.
3. Always check for correct combustion and ventilation air flow. The flow of combustion air and ventilation air must not be obstructed.
4. Always check that the appliance area is clear and free from combustible materials, gasoline, and other flammable vapors and liquids.

## **PERIODIC CHECKS**

1. Keep the burner and control compartment clean by brushing and vacuuming at least once a year.
2. The flame pattern should be checked periodically. The flame color should be blue with yellow tips. If needed adjust the air shutter to provide a proper flame. See Figure F.
3. A qualified service person should inspect the appliance vent system prior to use and at least annually, to ensure that the flow of combustion air is not obstructed.
4. If you are unsure how to perform these maintenance procedures have a qualified field service person check the unit at least annually.

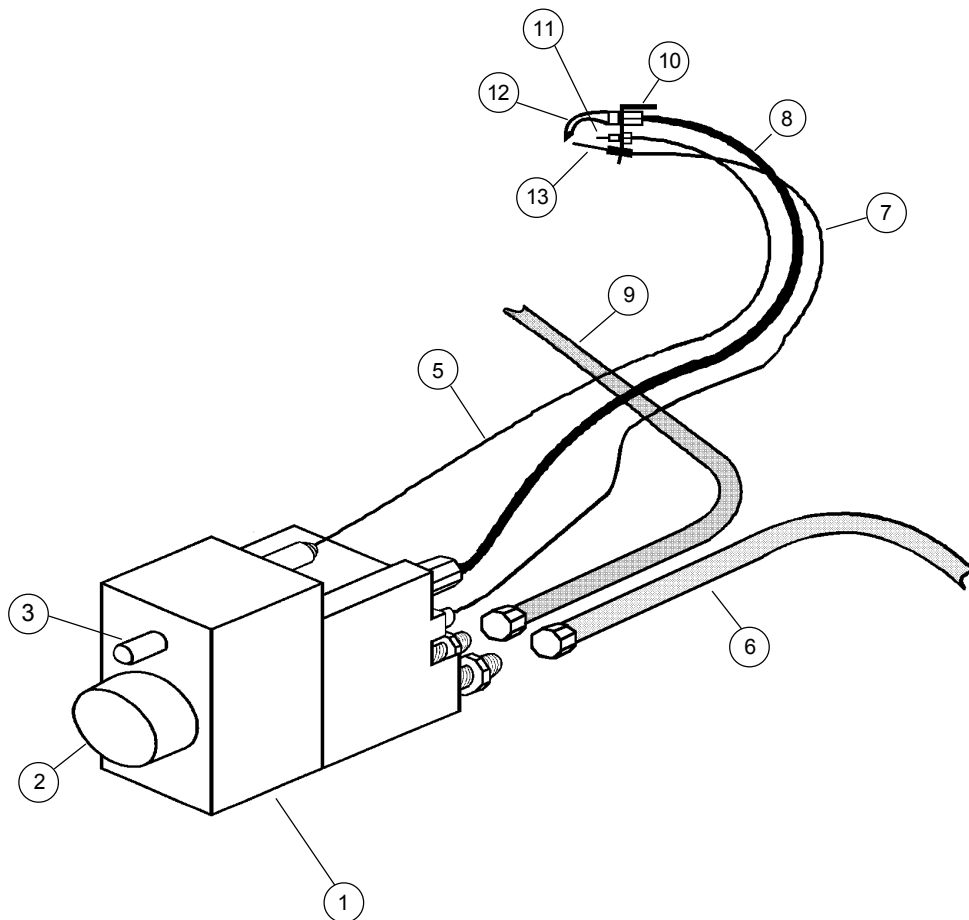
**NOTE:** During the first few fires the odor of paint or oils remaining from manufacturing are likely to release an odor. This is normal and will stop as soon as the paint has cured.

5. If for any reason a log should break it must be replaced with the same log. See the log diagram for the exact replacement log needed. The position of the logs must be as shown in the diagram.

## **CARE OF FINISH**

1. The matte black finish can be wiped clean with a damp cloth. If the finish becomes marred or scratched it may require touch up spraying. Use Stove Bright Flat Black spray. This is available from your dealer or from Malm direct.
2. If your unit is porcelain enamel use any glass cleaner to wipe the unit clean. Minor scratches can be polished with most nonabrasive auto polish. If the porcelain should become chipped or severely damaged an enamel touch up is available from your dealer or Malm direct.

ITEM	PART NO.	DESCRIPTION
1	MV-1	SIT 630 VALVE 630524 Natural Gas 630523 L.P. Gas
2	MV-1A	Valve Control
3	MV-1B	Piezo Igniter Button
5	MV-5	Piezo Lighter Wire
6	MV-6	Gas Line In
7	MV-7	Thermocouple Wire
8	MV-8	Pilot Supply Tube
9	MV-9	Gas Line to Burner
10	MV-10	Pilot Assembly Sit 0145003
11	MV-11	Piezo Lighter Electrode
12	MV-12	Pilot Hood
13	MV-13	Thermocouple Sit 0290136

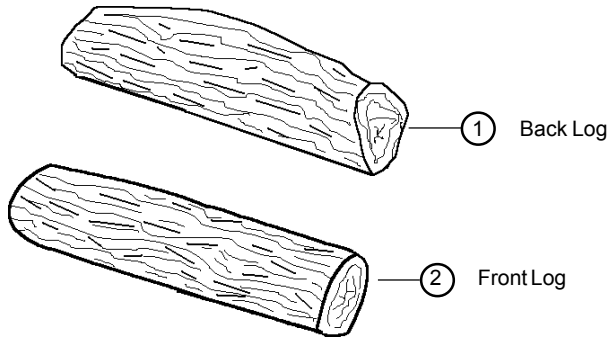


The pilot flame adjustment is located behind the valve cover. Remove the cover screw and cover. Locate the pilot adjustment at the upper right hand of the valve.

The pressure regulator adjustment is located on the bottom of the valve.

**CAUTION: Only trained and qualified service persons should attempt to adjust the pressure or pilot height.**





Logs have notches for proper placement on grate.

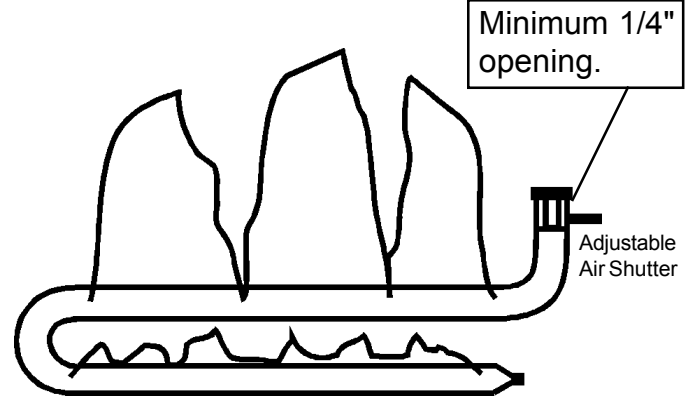
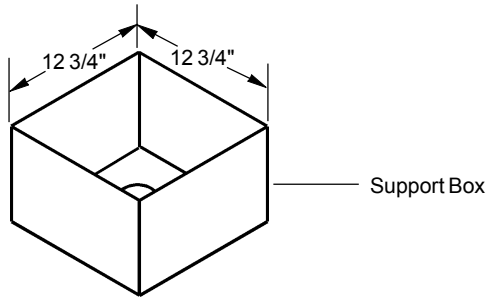
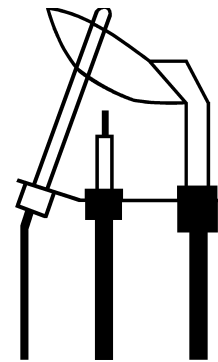


Figure F



Frame In 13" x 13"



Pilot Flame